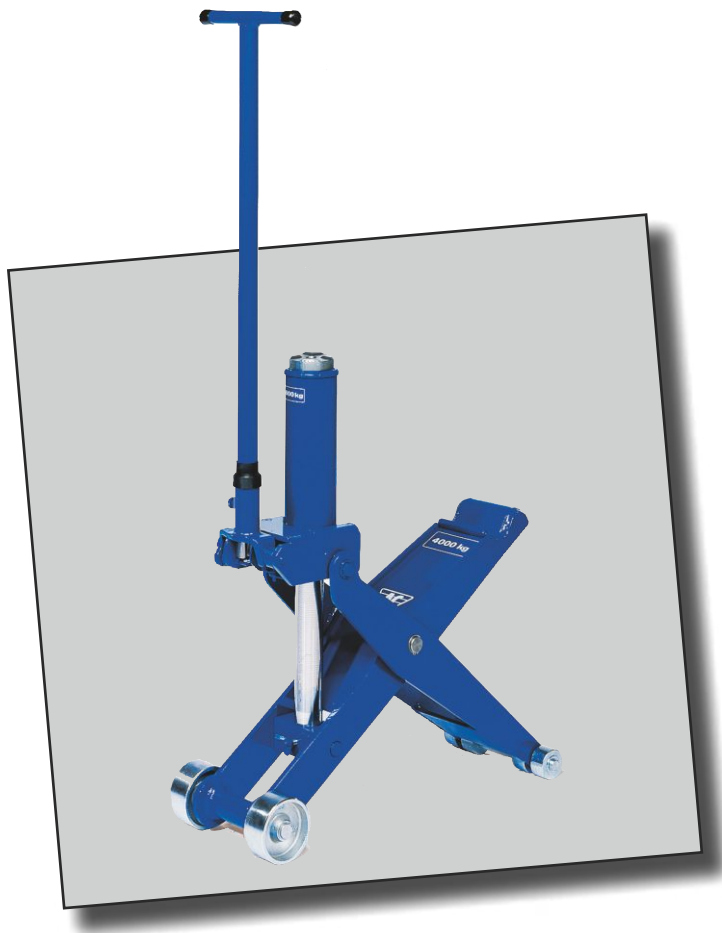


FJ40

Capacity 4.000 / 5.000 kg



GB **User's guide**
Hydraulic Forklift Jack

Weber
UK
WEBER UK LIMITED

WEBER UK LTD
Unit 10, First Avenue, Bluebridge Ind. Est.
Halstead, Essex. CO9 2EX
Tel.: 01787 476319
Fax: 01787 274926
E-mail: sales@weberuk.com
www.weberuk.com

0825034-010110

GB FJ40

WARNINGS -

Safe usage instructions

1. Study, understand and follow all instructions before operating this jack.
2. Do not exceed rated capacity.
3. Use only on hard level surface.
4. It is recommended to brake and chock the vehicle.
5. Do not move or transport the vehicle while on the jack.
6. Lifting device only. Immediately after lifting, support the vehicle with support stands. Always use support stands in pairs.
7. Lift only on areas of the vehicle as specified by the vehicle manufacturer, and only centrally on the lifting saddle. Be sure setup is stable and that the load cannot drop, slide or tip.
8. No person shall remain in, on, or get bodily under a load that is being jacked or is supported only by a jack.
9. Only original accessories and spare parts shall be used.
10. No alterations shall be made to this jack.
11. Failure to follow these warnings may result in personal injury and/or property damage.

Assembly

Seize cylinder with both hands (OBS: Mind the fingers!). Place piston rod in hole and tighten the wing screw (64). Place pumping handle in tipping gear and screw locking screw completely into slot in handle. Lubricate all moving parts.

Use

Lifting: Activate lever tube up and down using full strokes. For a high lift, lift load to maximum with the low saddle, support it safely, then lift by the saddle on top of cylinder.

Lowering: Pull lever tube up, then slowly turn clockwise.

Transport

When transporting jack, step on the nut (73) and pull back the handle to lock it. The jack can now be driven on the two big wheels.

Maintenance

Maintenance and repair must always be carried out by qualified personnel.

Daily: Inspect jack for damages.

Monthly: Lubricate all mechanical parts with a few drops of oil, and grease the end of the pump piston.

Oil refill: Correct oil level is up to lower edge of filling hole (68) with the jack fully down and vertical cylinder. Too much oil causes poor pumping.

Quantity of oil: 0,5 l.

Any good hydraulic oil of viscosity ISO VG 15 can be used.

NEVER USE BRAKE FLUID!

Safety Inspection

According to national legislation – minimum once a year though – the jack must be inspected by a professional: damages, wear and tear, adjustment of the safety valve, hydraulic unit for leakages. Furthermore that all safety labels are legible.

Trouble shooting

1. The jack does not lift to maximum height: check oil level.
2. Poor pump function (half strokes): vacuum in the reservoir. Loosen filling plug (68) and drain any excess oil.
3. Problems with the release system: Readjust the play between handle in neutral and release bracket (16) to be 2 – 4 mm by loosening or tightening the two nuts (45) (Please observe: the release shaft (30) shall not rotate).
4. Air in the hydraulic system: Bleed the system. Pump to half stroke; turn jack upside down resting on the cylinder and then release.
5. The load is dropping: leaking pump valves or worn seals.

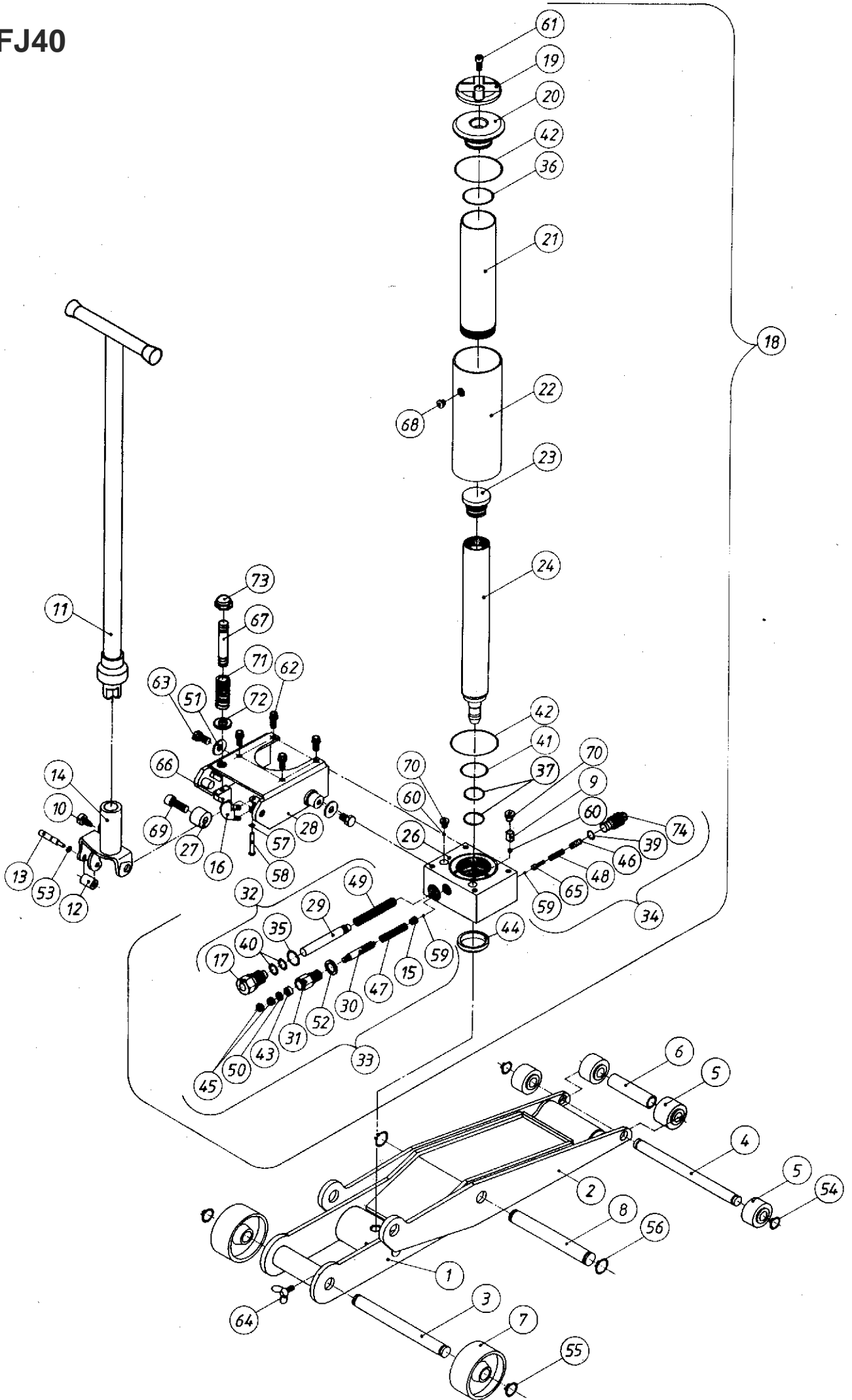
Spare parts

Maintenance and repair must always be carried out by qualified personnel. Replace worn or broken parts with genuine jack manufacturer supplied parts only. All major parts may not be provided after discontinuation of a model.

Destruction

Oil must be drained off and legally disposed of.

FJ40



FJ40		(DK)	(GB)	(D)	
Pos.	Art. No.	Pcs.	Benævnelse	Description	Bezeichnung
	33 000 00		FJ40, komplet	FJ40, complete	FJ40, komplett
1	33 001 00	1	Løftearm	Lifting arm	Hubrahmen
2	33 002 00	1	Bundramme	Base frame	Aussenrahmen
3	33 003 00	1	Aksel for hjul	Wheel axle	Radwelle
4	33 004 00	1	Rulleaksel	Castor axle	Rollenwelle
5	33 005 00	4	Hjulrulle	Castor	Rolle
6	33 006 00	1	Afstandsør	Distance tube	Abstandsrohr
7	33 007 00	2	Hjul	Wheel	Rad
8	30 007 00	1	Aksel for løfte-/	Axle f. base frame	Achse f. Hubausenrahmen
9	90 673 00	1	Ventilvægt	Valve weight	Ventilgewicht
10	32 018 00	1	Fingerskrue		
11	32 020 00	1	Håndtag, komplet	Handle, cpl.	Hebel, Kpl.
12	90 309 00	1	Nikketøjsrulle	Tipping gear roller	Rollen f. Kippvorrichtung
13	90 310 00	1	Aksel for nikketøj	Axle for tipping gear roller	Achse f. Kippvorrichtung
14	90 311 00	1	Nikketøj	Tipping gear	Kippvorrichtung
15	90 313 00	1	Fjederskrue	Spring screw	Federschraube
16	90 315 00	1	Udløserbøjle	Release bracket	Auslöserbügel
17	90 670 00	1	Føring for pumpestempel	Guide for piston rod	Führung für Pumpkolen
18	90 630 00	1	Pumpe, komplet	Pump, cpl.	Pumpe, kpl.
19	90 631 00	1	Sadel	Saddle	Sattel
20	90 632 00	1	Cylindermøtrik	Cylinder nut	Zylindermutter
21	90 633 00	1	Cylinder	Cylinder	Zylinder
22	90 634 00	1	Beholderrør	Container tube	Behälterrohr
23	90 635 10	1	Styr for stempelstok	Piston guide	Kolbenführung
24	90 636 10	1	Stempelstok	Piston rod	Kolbenstange
26	90 638 00	1	Pumpeblok	Pump block	Pumpenblock
27	90 639 00	1	Bøsning for nikketøj	Sleeve for tipping gear	Buchse f. Kippvorrichtung
28	90 640 00	1	Konsol for nikketøj	Tipping gear housing	Träger f. Kippvorrichtung
29	90 671 00	1	Pumpestempel	Pump piston	Pumpkolben
30	90 642 00	1	Udløserstang	Release shaft	Auslöserstanger
31	90 643 00	1	Udløserhus	Release cover	Auslösergehäuse
32	90 672 00	1	Pumpestempel, komplet	Pump piston cpl.	Pimpkolben, kpl.
33	90 645 00	1	Udløser, komplet	Release shaft, cpl.	Auslöser, kpl.
34	90 646 00	1	Overtryksventil, komplet	Safety valve	überdruckventil
*35	01 004 00	1	O-ring	O-ring	O-ring
*36	01 019 00	1	O-ring	O-ring	O-ring
*37	01 024 00	2	O-ring	O-ring	O-ring
*39	01 040 00	1	O-ring	O-ring	O-ring
*40	01 032 00	2	O-ring	O-ring	O-ring
*41	01 038 00	1	O-ring	O-ring	O-ring
*42	01 076 00	2	O-ring	O-ring	O-ring
*43	01 151 00	1	Pakning	Seal	Dichtung
*44	01 270 00	1	Afstryger	Scraper ring	Abstreifer
45	02 014 00	2	Møtrik	Nut	Mutter
46	02 001 62	1	Pinolskrue	Screw	Schraube
47	02 032 00	1	Fjeder	Spring	Feder
48	02 038 00	1	Fjeder	Spring	Feder
49	02 039 00	1	Fjeder	Spring	Feder
50	02 115 00	1	Skive	Washer	Scheibe
51	02 118 00	2	Skive	Washer	Scheibe
*52	02 124 00	1	Cu skive	CU-washer	Cu-Scheibe
53	02 202 00	1	Seegerring	Circlip	Seegerring
54	02 204 00	2	Seererring	Circlip	Seegerring
55	02 205 00	2	Seegerring	Circlip	Seegerring
56	02 206 00	2	Seegerring	Circlip	Seegerring
57	02 223 00	1	Klemskive	Locking washer	Klemmscheibe
58	02 229 00	1	Nitte	Rivet	Niete
*59	02 290 00	2	Kugle, Ø4,5	Ball, Ø4,5mm	Kugel, Ø4,5 mm
*60	02 292 00	2	Kugle, Ø6,5	Ball, Ø6,5mm	Kugel, Ø6,5 mm
61	02 001 74	1	Skrue	Screw	Schraube

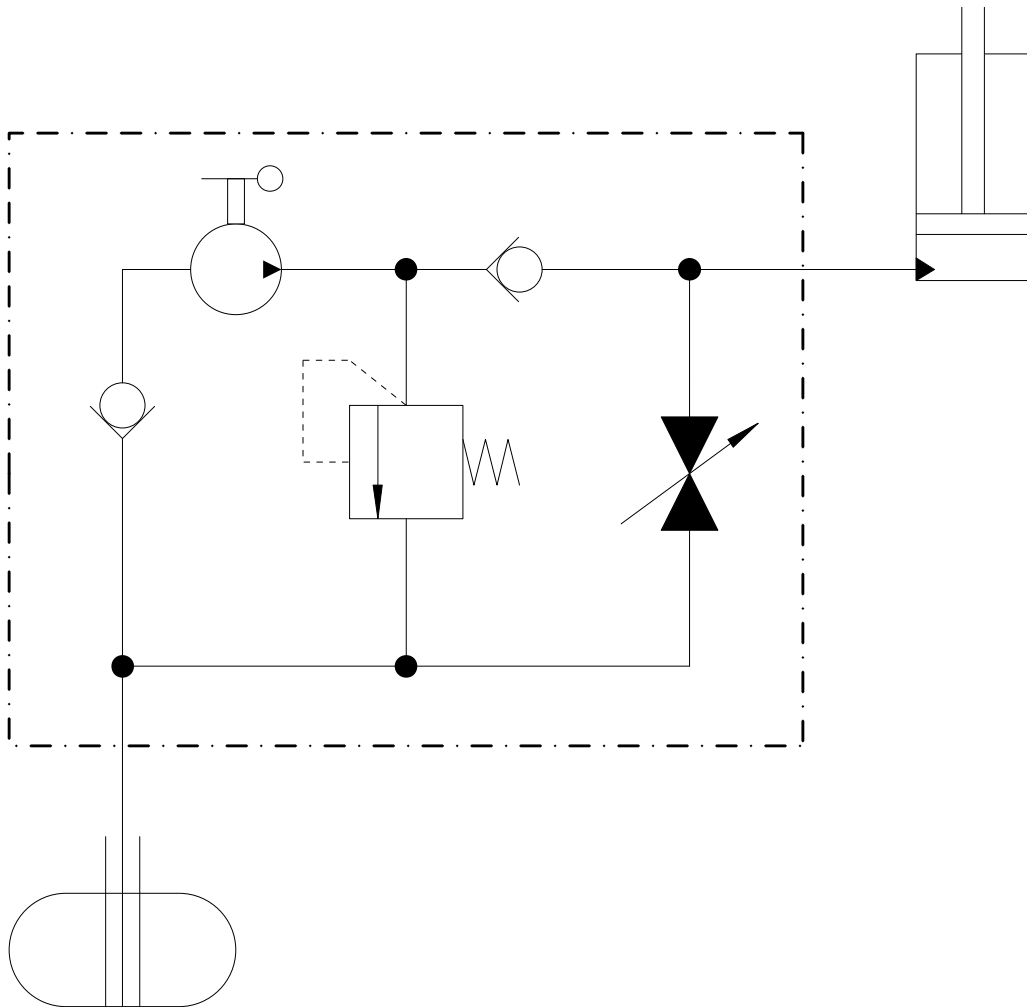
FJ40		(DK)	(GB)	(D)	
Pos.	Art. No.	Pcs.	Benævnelse	Description	Bezeichnung
62	02 320 00	4	Skrue	Screw	Schraube
63	02 328 00	2	Skrue	Screw	Schraube
64	02 331 00	1	Vingeskrue	Wing screw	Fügelschraube
65	02 340 00	1	Skrue	Screw	Schraube
66	90 647 00	1	Stopklods	Stop block	Stoppklotz
67	90 648 00	1	Aksel	Axle	Achse
68	02 448 00	1	Påfyldningsprop	Filling plug	Füllschraube
69	02 482 00	1	Bolt	Bolt	Bolzen
70	02 483 00	2	Ventilprop	Valve plug	Ventilpfropfen
71	90 649 00	1	Fjeder for lås	Spring for lock	Feder für Schloss
72	02 116 00	1	Skive	Washer	Scheibe
73	02 497 00	1	Møtrik	Nut	Mutter
74	02 384 00	1	Skrue	Screw	Schraube
*	09 030 00		Pakningssæt	Repair kit	Dichtungssatz

DK: Demed*mærkedeleleveresikompletpakningssæt. Anvendaltidoriginalereservedele. Angivvenligstaltidmodelogreservedelsnummer. Allehoveddelekanikkeforventesleveretefterproduktionsophøraftmodel.

GB: *indicate parts included in repair set. Please always state model and part number. Do always apply original spare parts. All major parts may not be provided as spare parts after discontinuation of production of a model.

D: Diemit*markiertenTeilesindimDichtungssatzenthalten. BitteimmerModellundErsatzteilnummernaufIhrenBestellungenangeben. ImmernurOriginalteilverwenden. LieferungvonallenHauptteilenalsErsatzteilekannnachProduktions-EinstellungeneinesModelles nichterwartetwerden.

- ⒹK HYDRAULIK DIAGRAM
- ⒹB HYDRAULIC CHART
- Ⓓ HYDRAULISCHES DIAGRAMM



EU Overensstemmelseserklæring
EC Declaration of Conformity for Machinery
EG Konformitätserklärung
Declaration CE de conformité
pour les composants

EU Överensstämmelseforsäkran
Vaatimustenmukaisuuvakuutus
EU verklaring van overeenstemming
EU declaración de conformidad
sobre maquinaria

Directive 2006/42/EC



WEBER UK LTD

Unit 10, First Avenue, Bluebridge Ind. Est.
Halstead, Essex. CO9 2EX
Tel.: 01787 476319
Fax: 01787 274926
E-mail: sales@weberuk.com
www.weberuk.com

(DK) Gaffeltruck donkraft,

(N) **FJ40**
er i overensstemmelse med Maskindirektivets bestemmelser (Direktiv 2006/42/EC og EN1494) med ændring, og er i overensstemmelse med andre relevante nationale bestemmelser.

(GB) Hydraulic Forklift Jack,

FJ40
are in conformity with the provisions of the Machinery Directive (Directive 2006/42/EC and EN1494) as amended and with national implementing legislation.

(D) Hydraulischer Heber für Gabelstapler,

FJ40
konform sind mit den einschlägigen Bestimmungen der EG-Maschinenrichtlinie 2006/42/EC und EN1494 inklusive deren Änderungen, sowie mit dem entsprechenden Rechtserlaß zur Umsetzung der Richtlinie ins nationale Recht.

(F) Cric hydraulique FJ40 pour chariots à fourche,

FJ40
sont conformes aux dispositions de la Directive Machine 2006/42/EC et EN1494, et aux législations nationales la transposant.

(S) Hydraulisk domkraft

FJ40
Överensstämmer med Maskindirektivets bestämmelser (Direktiv 2006/42/EC och EN1494) med ändring, och är i överensstämmelse med andra relevanta nationella bestämmelser

(SF) Trukkinostin,

FJ40
vastaa Konedirektiivin (direktiivi 2006/42/EC ja EN1494) määräyksiä sekä kansallista voimaantulolainsäädäntöä.

(NL) FJ40 hydraulische heftruckkrik,

FJ40
in overeenstemming zijn met de bepalingen van de Richtlijn Machines (richtlijn 2006/42/EC en EN1494) en met de essentiële veiligheidsen gezondheidseisen (ARAB).

(E) Gato hidráulico de horquillas FJ40,

FJ40
son conforme con las directrices sobre maquinaria (Directiva 2006/42/EC y EN1494) incl.enmiendas, y en conformidad con las directrices nacionales relevantes.

Viborg 01.01.10


Claus A. Christensen
General Manager